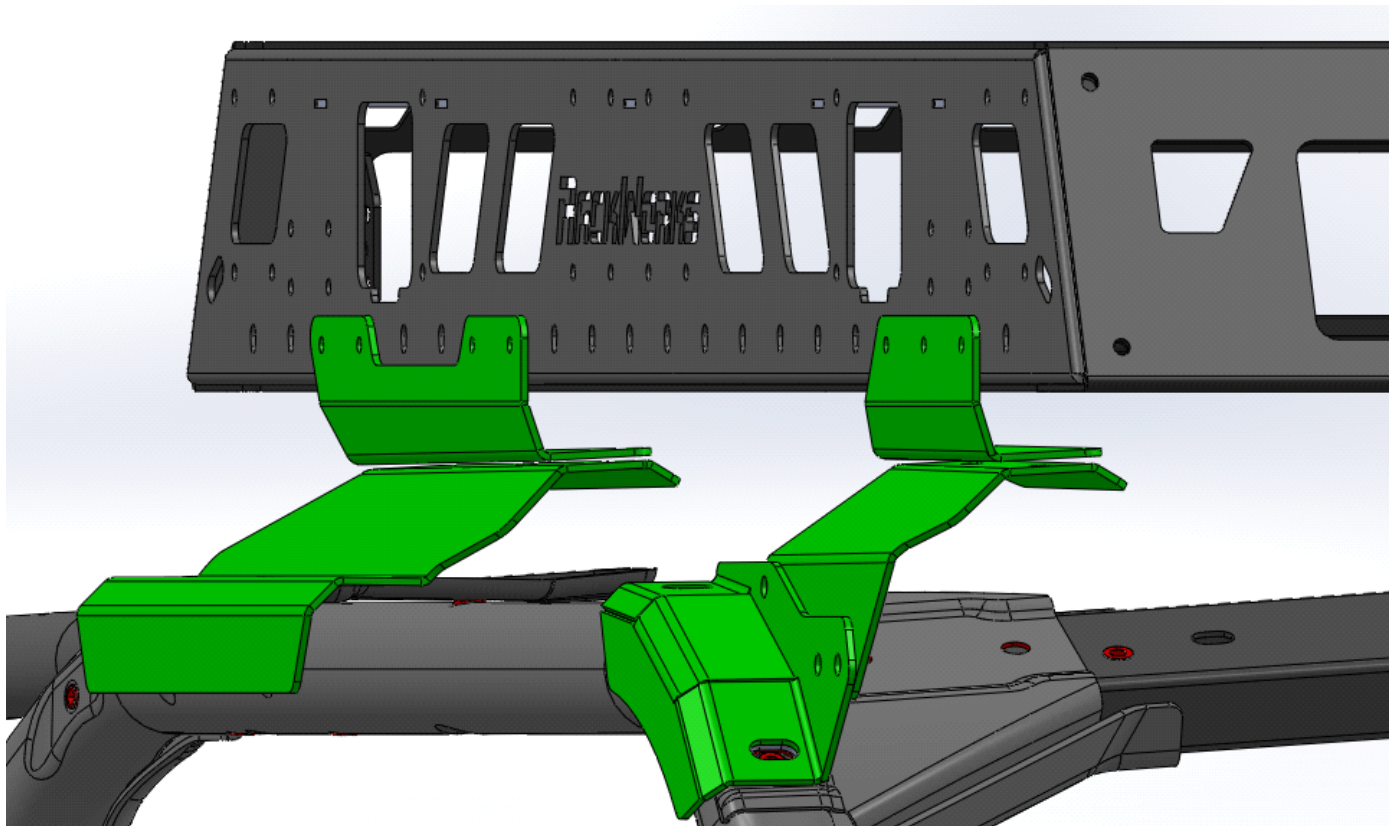


Installation Guidelines

Part#1305 Jeep Wrangler 4dr JK 07-15 HD Mounts

TO GUARANTEE A QUALITY INSTALLATION, WE RECOMMEND READING AND UNDERSTANDING THESE INSTRUCTIONS BEFORE STARTING ANY WORK. THESE INSTRUCTIONS MAY INVOLVE SOME MECHANICAL ABILITY AND SKILL. THE FOLLOWING DIRECTIONS ARE INTENDED FOR INDIVIDUALS WITH AUTOMOTIVE OR MECHANICAL EXPERIENCE.



General Notes:

- These Install guidelines are also available on our Website: www.rackwork-s.com. If you cannot find the instruction on our website please email: tech@rackwork-s.com
- This installation **Requires drilling into your factory hardtop** and should be performed by qualified installation facility.
- This is a medium level difficulty install.
- Factory Hardtop required for installation.
- Not compatible with 2dr Jeep JK wrangler models, Only Unlimited 4dr models.

- The following guidelines are just that guidelines, if you have any questions or concerns regarding the installation don't hesitate to contact us first!
- Install requires (2) people. Recommend (4hrs) for install time.

Parts List:

- (2) 1305-01/1305-02 Left and Right JK front lower roll bar mounts.
- (2) 1305-03/1305-04 Left and Right JK rear lower roll bar mounts.
- (2) 1305-05/1305-06 Left and Right JK rear mid mounts.
- (2) 1305-07/1305-08 Left and Right JK Front upper mounts
- (2) 1305-09/1305-10 Left and Right JK Rear upper mounts
- (14) ¼ 20x 3/4" SS socket cap bolts
- (28) ¼ 20 SS washers
- (14) ¼ 20 Zinc nylon locking nuts
- (4) Threaded Handles with stud
- (6) 3/8/16x1" UNF Grade 8 bolts
- (12) 3/8 Grade 8 washers
- (8) M8x30mm Flange head bolts (replaces factory cage bolts)
- (8) Neoprene rubber Strips

Installation tools and supplies

- 13mm socket, short extension and ratchet.
 - 9/16 socket, ratchet and wrench.
 - 5/32 hex socket and ratchet or wrench.
 - 7/16 socket and ratchet or wrench.
 - 3/8 drill bit and cordless drill.
 - Utility Knife
 - Black sharpie for marking holes.
 - Protective eyewear.
- Remove the freedom tops and hard top off the vehicle.
 - Locate the Factory roll bar cross member above the sound bar in the center of the vehicle. You may have unzip the roll bar padding/cover to locate them. You will need to cut out holes in the roll bar cover material directly above the bolts for the new brackets in "Step 3".
 - Install neoprene strip onto mounting brackets. Make sure to install strips onto the mating surfaces of the mounts that will contact the hardtop. See pictures.
 - Remove the (4) bolts on the left and right side on the top of roll bar cross member. Install the 1305-01 and 1305-02 onto the cage using the factory bolts you just removed. Tighten until snug. (brackets will need to be able to adjust when hard top is re-installed. See pictures.

- Locate the rear roll bar cross member. Remove roll bar padding and cover, locate the (4) factory bolts on the left and right side, cut holes in the cover directly above the bolts for the new 1305-03 and 1305-04 bracket to be installed. See pictures. Install 1305-03 and 1305-04 with factory bolts and tighten until snug. (brackets will need to adjust to hard top when re-installed)
- Install 1305-05 and 1305-06 to the previously installed 1305-03 and 1305-04 using hardware: (see picture.)
 - (6) 3/8/16x1" UNF Grade 8 bolts
 - (12) 3/8 Grade 8 washers
 - (8) M8x30mm Flange head bolts (replaces factory cage bolts)

Be sure to tighten all (6) bolts until snug so brackets can pivot under light pressure.

- Re-install just the hard top. Check installed brackets for alignment. Lower mounting brackets should rest nicely into the channels on underside of the hard top. Make sure tighten the hard top down at this point. Push 1305-05 and 1305-06 brackets up to the underside of the hardtop and tighten all (6) bolts with brackets in this position.
- There are (8) holes total on the top of the 4 lower mounting brackets. There is 2 holes per bracket. On each bracket mark the holes closest to rear of the vehicle. **Double check the holes before drilling!!** At this point read ahead in the guidelines and confirm the correct holes are marked to be drilled. See pictures. Time to mark and drill only (4) holes in the roof for the upper mounts. Remove the hard top and drill the 4 holes using 3/8 dia. drill bit.
- Tighten all bolts on previously installed roll bar mounting brackets.
- Reinstall Hardtop on Vehicle. Top should be completely secured with all factory fasteners.
- Locate Upper Mounting brackets:
 - 1305-07 and 1305-08 Front upper mounts
 - 1305-09 and 1305-10 Rear upper mounts
 - (14) 1/4 20x 3/4" SS socket cap bolts
 - (28) 1/4 20 SS washers
 - (14) 1/4 20 Zinc nylon locking nuts

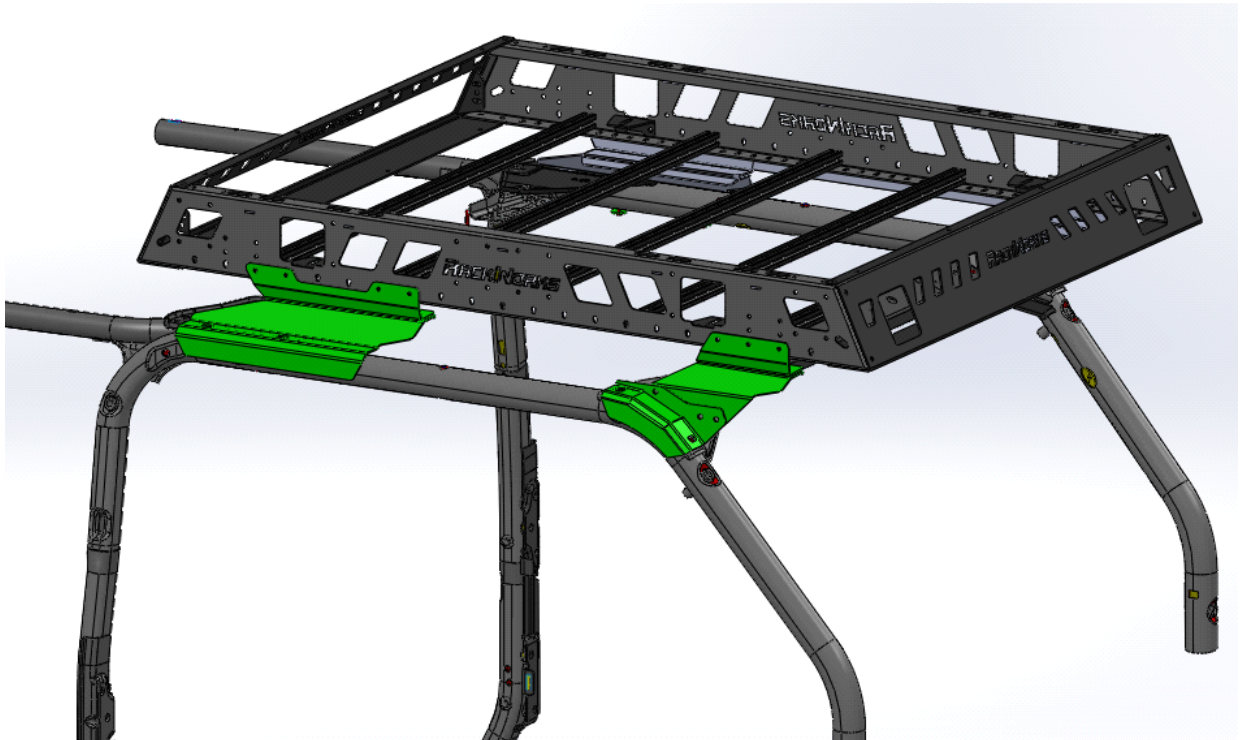
See picture 8a. Place brackets onto the Rubicon series rack in the location shown in picture. Once brackets are positioned, using the hardware listed above, tighten all bolts until snug. Place Rack assembly on to roof and position rack over the drilled holes. Using the (4) threaded handles, from inside the vehicle thread the handles into upper mounting bracket.

- YOUR DONE! Give your buddy a beer for helping and gear-up for your next adventure!

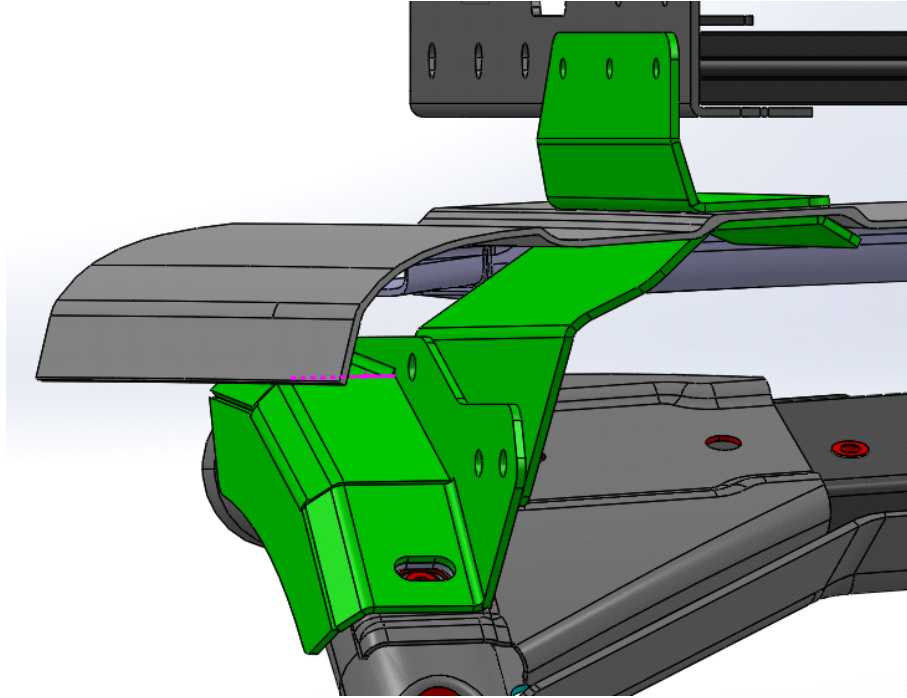
NOTES and IMPORTANT INFORMATION:

- If you are having trouble aligning the mounting bracket holes with hard top holes try: loosening bolts on the side of the rack. This should allow you to thread the handles into the upper hard top mounts easier. Tighten lower handles first, then tighten bolts on the side of the rack.
- Using Roof Rack without hardtop. There are 2 mounting positions for our Rubicon Series rack. The forward most position is best without hard top.
- Maximum carrying capacity: RACKWORKS does not recommend a weight carrying capacity. Refer to your Jeep owner's manual.
- Be sure to check all bolt connections after driving a short distance when you first install your RACKWORKS Cargo Rack.
- Threaded handles should be checked once a week, depending on road conditions, usage, loads, and distances travelled. We make nice racks for big loads so be sure to fasten your load securely. Please ensure that all loads are evenly distributed and that the center of gravity is kept as low as possible.

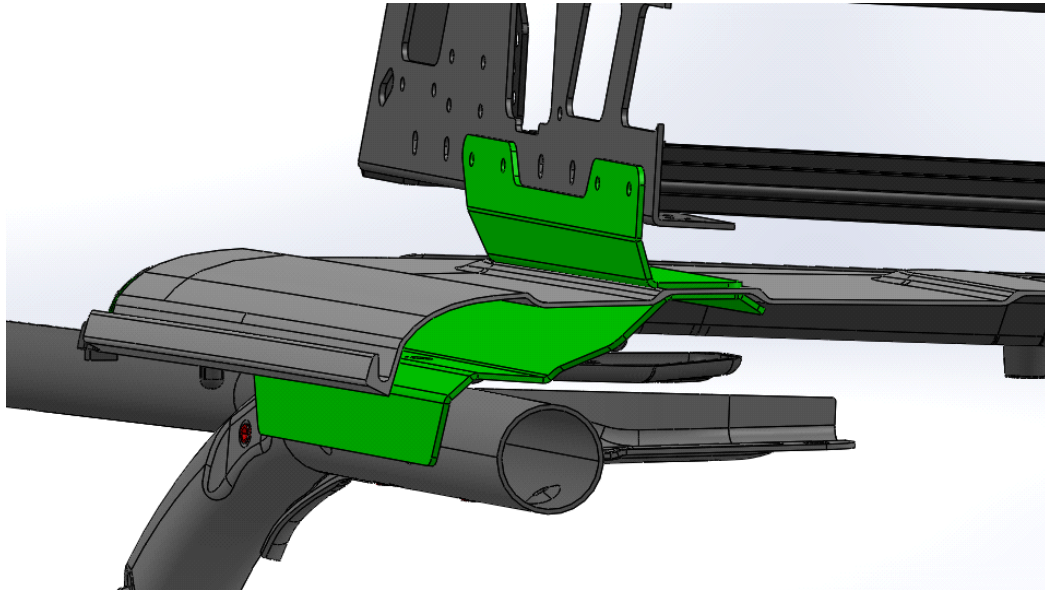
Reference photos for Install:



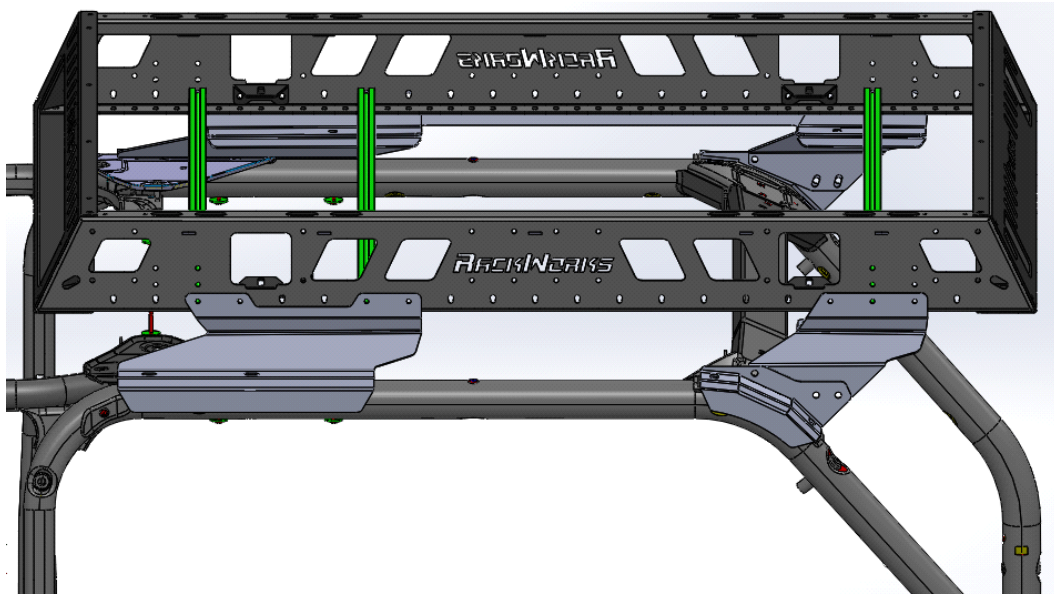
Upper and Lower Rear Mount Assembled:



Upper and Lower front mount assembled:



Crossbars that share upper mount bolts:



Standard crossbar locations:

